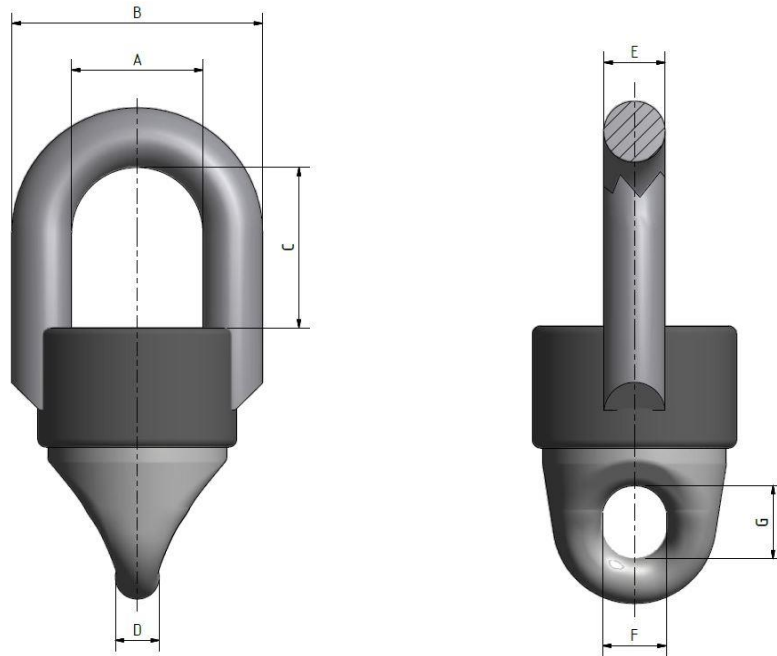


Swivels



Type M+F Swivel

Anchor chain accessory



chain dia.	A	B	C	D	E	F	G
30-32	109	202	124	32	45	50	56
38-42	140	260	160	41	58	64	72
44-48	161	299	184	47	67	74	83
50-54	182	338	208	53	75	83	94
58-62	210	390	240	62	87	96	108
64-68	231	429	264	68	96	106	119
70-76	256	475	292	75	106	117	131
78-81	277	514	316	81	115	126	142
82-90	308	572	352	90	128	141	158
92-103	350	650	400	103	145	160	180
105-111	378	702	432	111	157	173	194
112-117	403	748	460	118	167	184	207
120-124	427	793	488	125	177	195	220



Type Approval by:

DNV, Lloyd's Register, Bureau Veritas

Application:

To be used as connection link between anchors and corresponding anchor chains

Manufactured & Tested: in Germany by Feubo

Material:

Forged / Cast Steel

Features:

Anchor chain accessory in Grade 2,3