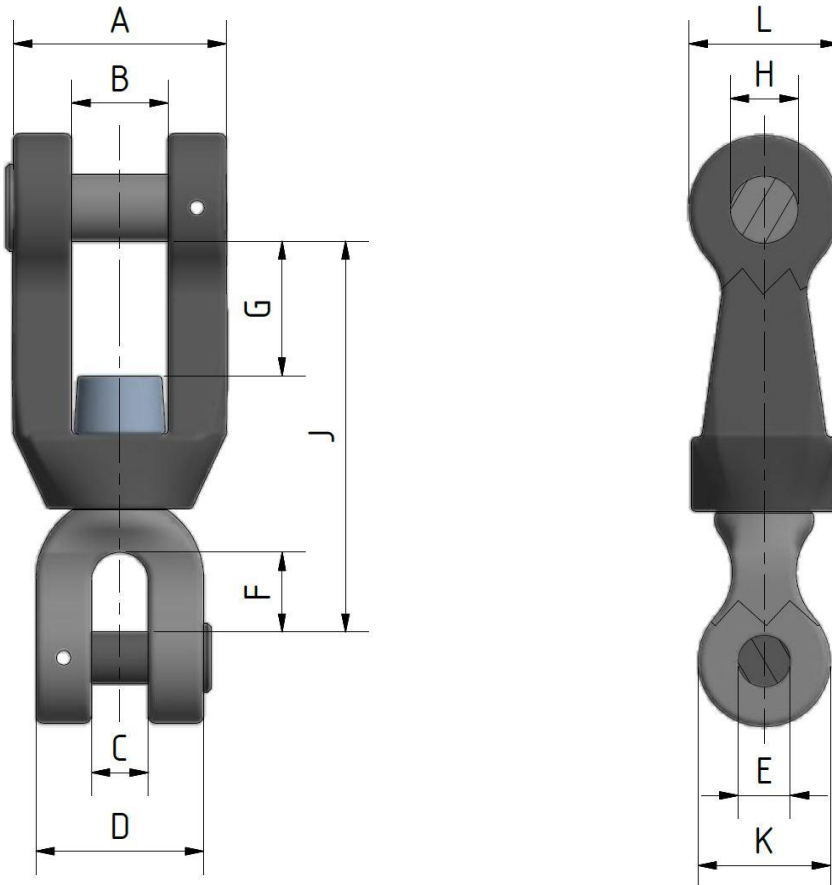


Swivels



Type K Swivel

Anchor chain accessory



chain dia.	A	B	C	D	E	F	G	H	J	K	L
d	5 x d	2,2 x d	1,4 x d	4 x d	1,4 x d	1,8 x d	3,15 x d	1,7 x d	9,2 x d	2,8 x d	3,4 x d

Application: To be used as connection link between anchors and corresponding anchor chains

Manufactured & Tested: in Germany by Feubo

Material: Cast Steel

Features: Anchor chain accessory for grade 2 or 3