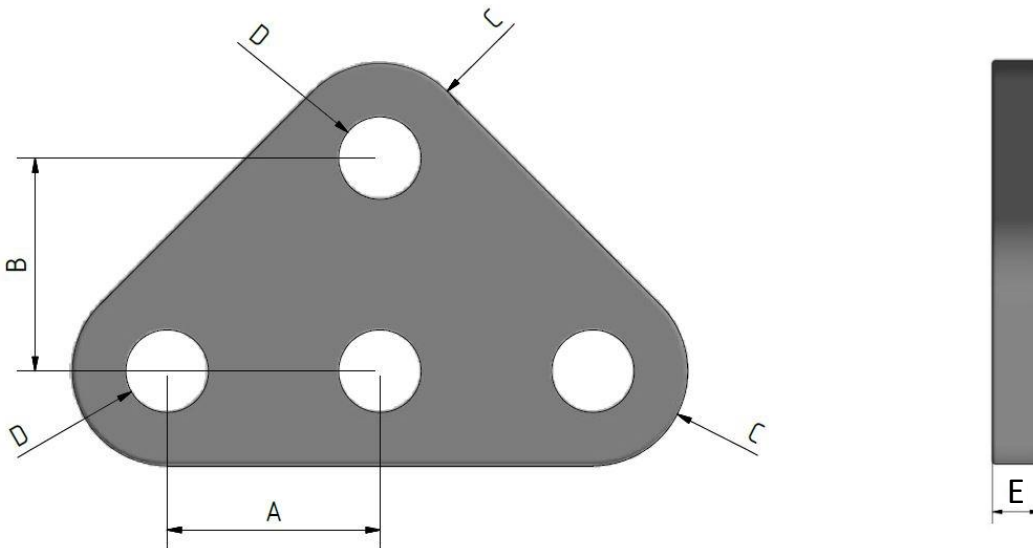


Plates



Delta Plate

Offshore accessory to be used for Temporary, Mobile and Long Term Mooring



chain dia.	A	B	C	D	E
d	min. 4,5 x d	3,5 x d	1,6 x d	1,45 x d	1,25 x d

Application: Temporary, Mobile and Long Term Mooring

Manufactured & Tested: in Germany by Feubo

Material: Forged Steel – Grades R 4, R5