

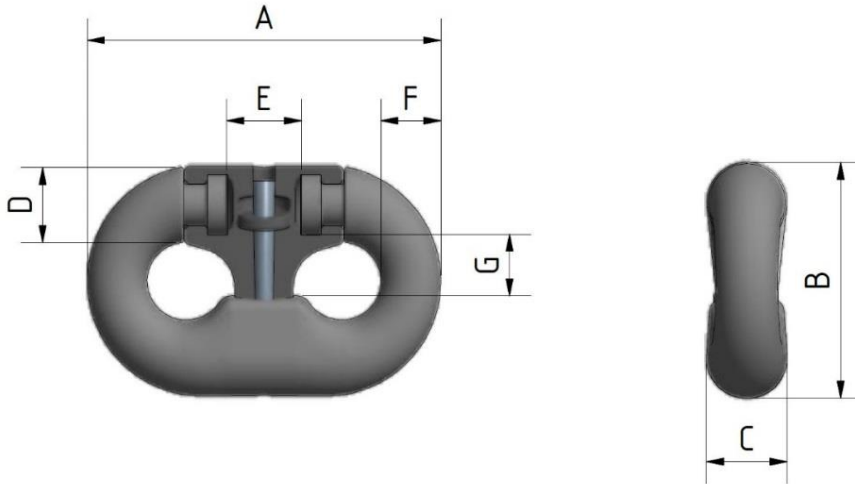
C-Links



C-Type Connector (Detachable Chain Connecting Link - DCCL)

Type Approved by DNV-GL

Offshore accessory to be used for Temporary Mooring as defined in DNVGL-OS-E301, Position Mooring



chain dia.	A	B	C	D	E	F	G	R4 PL kN	R4 MBL kN
62-64	388	247	88	79	74	64	74	3440	4364
65-67	407	258	92	83	78	67	77	3747	4753
68-70	425	270	97	87	81	70	81	4064	5156
71-73	443	281	101	91	85	73	84	4392	5572
74-76	461	293	105	94	88	76	87	4731	6001
78-79	480	305	109	98	92	79	91	5079	6443
81-83	504	320	115	103	97	83	95	5559	7052
84-86	522	332	119	107	100	86	99	5930	7522
87-89	540	343	123	110	103	89	102	6310	8004
90-92	558	355	127	114	107	92	106	6699	8497
94-95	577	366	131	118	110	95	109	7096	9001
97-98	595	378	135	122	114	98	113	7501	9515
100-102	619	393	141	126	119	102	117	8054	10217



- Type approved by: **DNV-GL**
- Application: **Temporary Mooring**
- Manufactured & Tested: **in Germany by Feubo**
- Material: **Forged Steel - Grade R4**
- Features: **Used to connect chain in Temporary Mooring as defined in Offshore Standard DNV-GL-OS-E301**